

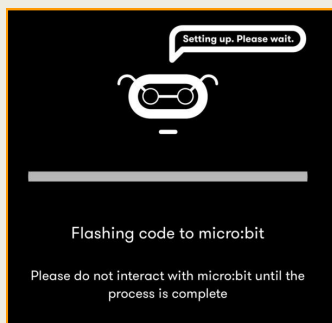
Using the micro:bit with mobile devices



To use your micro:bit with a smartphone or tablet, you will need to download the micro:bit app from the relevant app store.

Once you have installed and opened the app, it's time to 'pair' the two devices: make sure Bluetooth on your smartphone/tablet is switched on and connect your micro:bit to the battery pack provided in the Starter Kit, with x2 AAA batteries inserted. From the app's home menu, select *Connections* (Android) or *Choose micro:bit* (Apple), then *Pair a new micro:bit*. Follow the instructions on-screen to pair the devices.

Next, select *Create Code* from the app's home menu to create your program using block-based coding.



When you are ready to transfer the program to your micro:bit, press the purple *Download* button on the bottom left. Your device will search for the micro:bit and may ask you to re-pair it. Follow the instructions on-screen until you see the image on the left. Your program will now 'flash' to the micro:bit, indicated by a blue progress bar.

For information about using the micro:bit with a **Kindle Fire**, visit: <https://arena.westsussex.gov.uk/web/arena/microbit>

Further support

- <https://support.microbit.org/support/home>
- <https://arena.westsussex.gov.uk/web/arena/microbit>
- <https://www.westsussex.gov.uk/libraries/ask-a-librarian>

This guide has been produced by West Sussex County Council Library Service © 2020



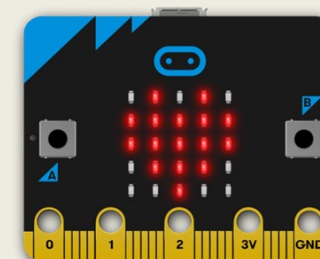
10.20

Help With...

BBC micro:bit

What is a BBC micro:bit?

The micro:bit is a tiny computer that can be programmed to do many different things, from displaying a flashing heart to playing a game of Rock Paper Scissors.



There is no special software required – the micro:bit can be programmed on a PC or laptop running Windows 7 or later, or a Mac running OS X 10.6 or later, via the website <https://microbit.org>. It can also be programmed on a Bluetooth-enabled smartphone or tablet via the official micro:bit app for Android or Apple from the relevant app store.

IMPORTANT! Safety first!



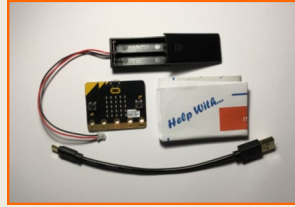
Before getting started with your micro:bit, please read the safety advice online:

<https://microbit.org/get-started/user-guide/safety>

- It is recommended that children under 8 years are supervised by an adult when using the micro:bit Starter Kit.
- Handle the micro:bit with care - its electronics are exposed!
- Only handle the micro:bit by its edges and **avoid** touching the components.
- **Do not use** portable battery chargers or USB charging ports (often marked with a lightning bolt or 'SS') to power your micro:bit.
- Only use zinc-carbon or alkaline batteries, and do not mix different types of battery or leave spent batteries in the case.
- To remove the battery pack, pinch the white plug with your fingers (**do not** remove by pulling the wire).

Your micro:bit Starter Kit includes the following:

- BBC micro:bit
- Battery case (x2 AAA batteries **not** included)
- Micro USB cable
- This *Help with BBC micro:bit* user guide



Getting Started

If you're new to coding with the micro:bit, visit the Micro:bit Educational Foundation's official website: <https://microbit.org>

You'll also find lots of useful information on our special library web page, including micro:bit projects like the one below - from the basics to the more advanced! <https://arena.westsussex.gov.uk/web/arena/microbit>

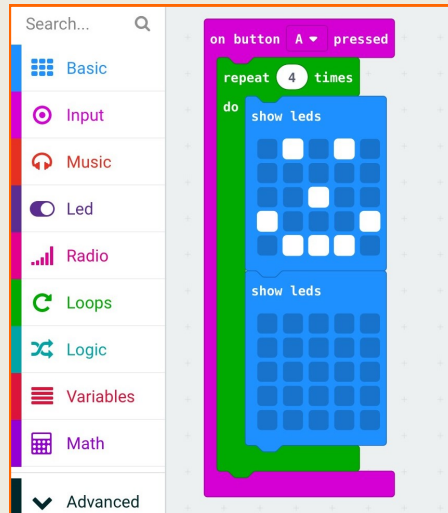
Block-based coding

The micro:bit can be programmed with simple 'block-based coding'. The illustration below is what you might see if you use the MakeCode Editor on the micro:bit website or app.

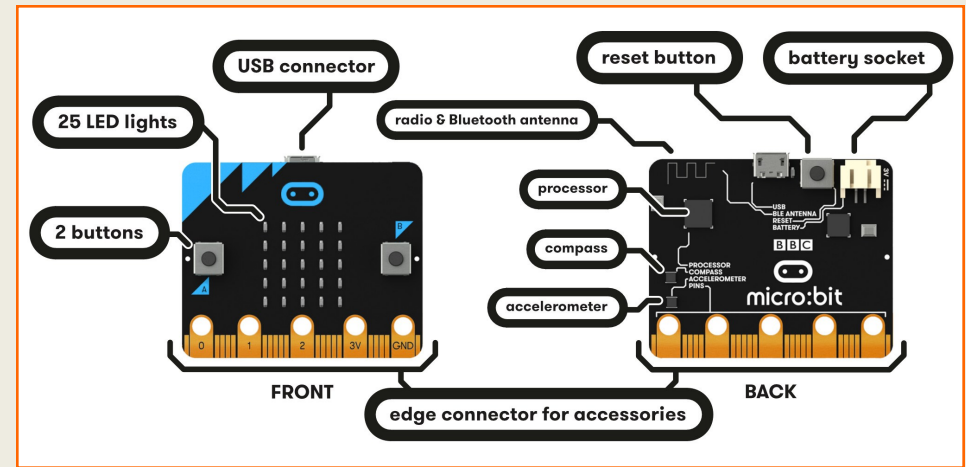
On the left-hand side is the block menu. Each block is pre-set with an individual command. When you slot these together (a bit like a jigsaw), they form a sequence of instructions telling the micro:bit what to do.

In this example, the **pink** block runs the program when button 'A' on the micro:bit is pressed. The **green** block tells everything inside it to repeat four times. The **blue** blocks

tell the micro:bit's LEDs to display a smiley face followed by nothing. With the repeat loop, this means the face shape will flash on and off four times.



Features of the micro:bit



Using the micro:bit with PCs and laptops

To use your micro:bit with a PC or laptop, you will need to connect it using the micro USB cable provided in the Starter Kit. It will show up as a removable drive. When you have created your code on the website <https://microbit.org>, here's how to download it to your micro:bit:

- 1) Click the purple *Download* button on the bottom left.
- 2) **Ignore** the *Download to your micro:bit* pop-up. At the bottom left of the screen in your Downloads bar, you'll see a .hex file – click the **up arrow** and select **Show in folder**.
- 3) You should now see your .hex file in the Downloads window that appears.
- 4) Click and drag the .hex file onto the MICROBIT (D:) drive in your Quick Access toolbar on the left.
- 5) You will see a progress bar on-screen and a flashing light on the back of the micro:bit during the transfer.

*These instructions apply to downloading from **Google Chrome**. For other browsers, and to see screenshots of the download process, visit our more detailed guide at <https://arena.westsussex.gov.uk/web/arena/microbit>*